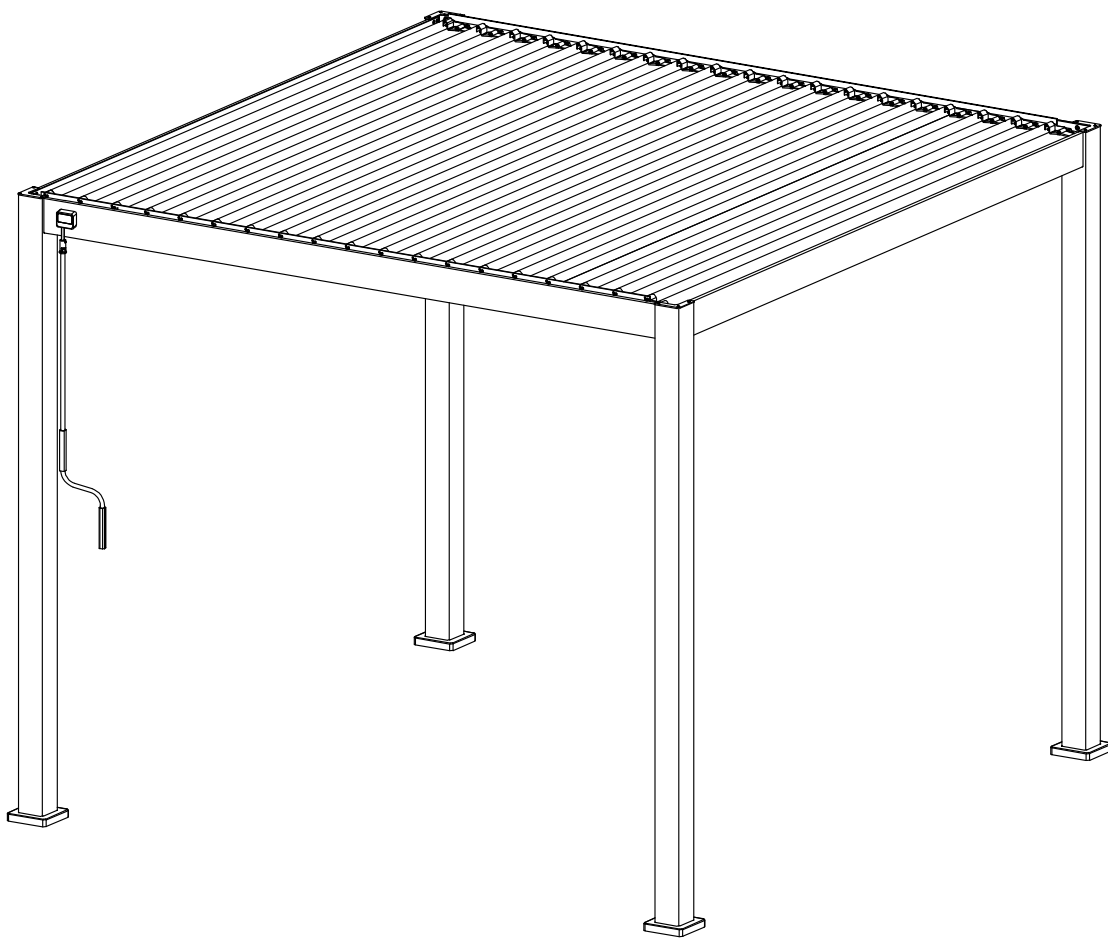


MIRADOR[®] 3x3m

Handbuch



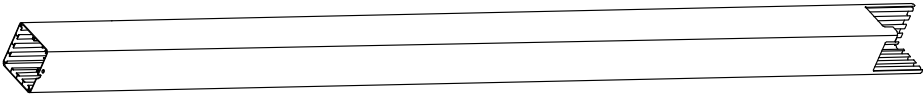
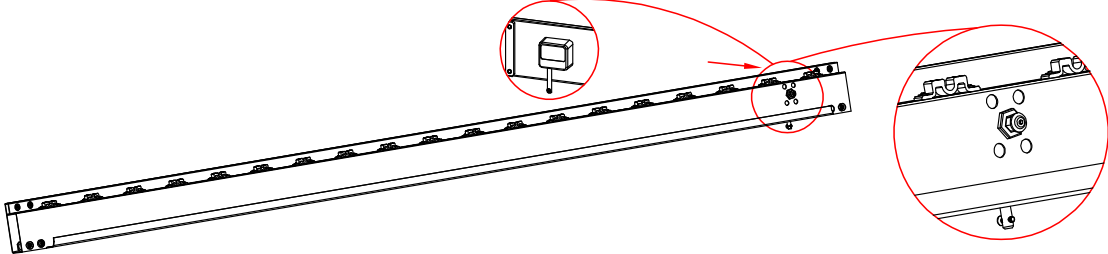
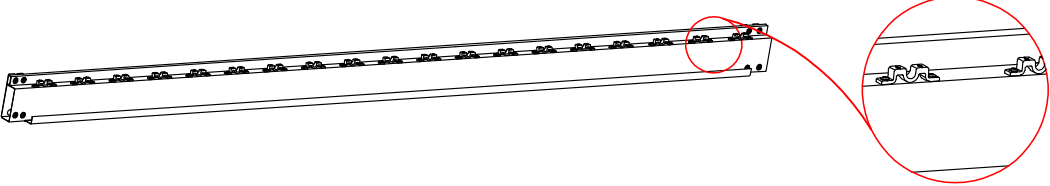
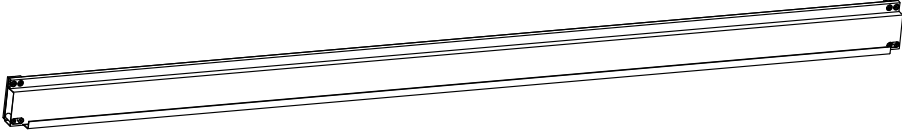
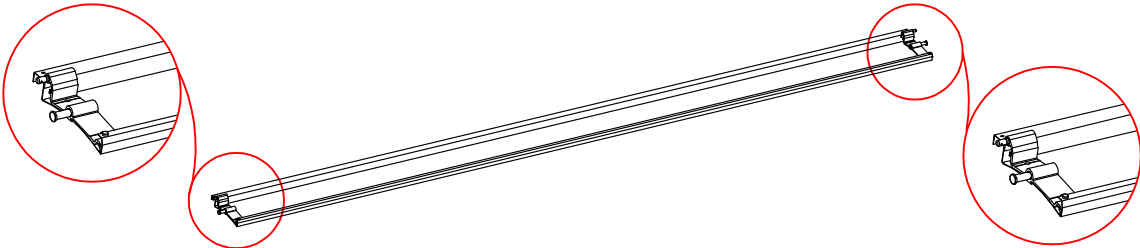
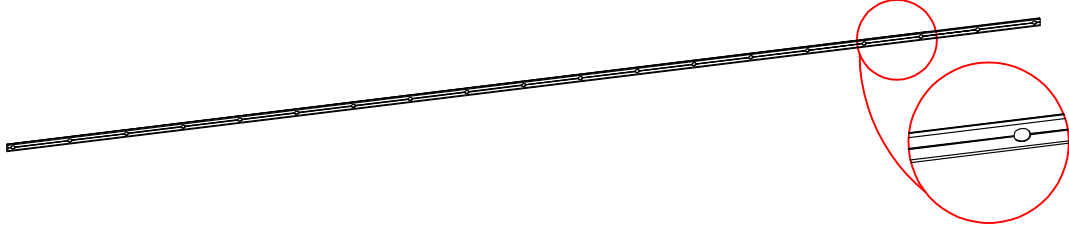

Classic

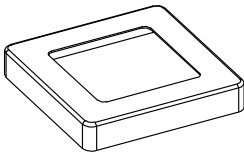
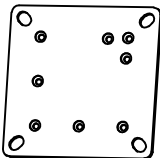
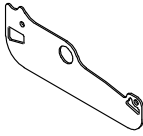
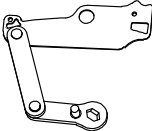
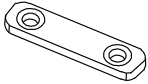
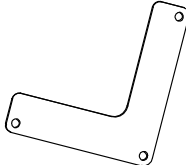
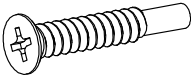
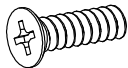




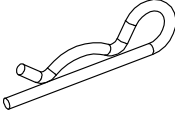
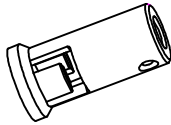
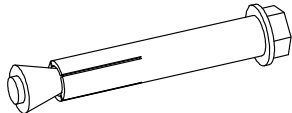

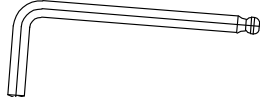
 sorara
Pergola

info@sorara.ch
www.sorara.ch

	REF	QTY	REF	QTY	REF	QTY
Carton 1/4	(A)	4PCS	(I)	4PCS	(J)	4PCS
	(K)	39PCS	(L)	1PC	(M)	40PCS
	(N)	4PCS	(O)	24PCS	(P)	80PCS
	(Q)	80PCS	(R)	12PCS	(S)	42PCS
					(V)	1PC
	(W)	16PCS	(X)	1PC	(Y)	2PCS
	User Manual	1SET				
Carton 2/4	(B1)	1PC	(B2)	1PC	(C)	2PCS
	(G)	2PCS	(H)	1PC		
Carton 3/4	(D)	10PCS				
Carton 4/4	(D)	9PCS				

REF	PICTURE	QTY
A		4PCS
B1		1PC
B2		1PC
C		2PCS
D		19PCS
G		2PCS
H		1PC

REF	PICTURE	QTY
I		4PCS
J		4PCS
K		39PCS
L		1PC
M		40PCS
N		4PCS
O		24PCS
P	 M5x12mm	80PCS
Q	 4.2x25mm	80PCS

REF	PICTURE	QTY
R	 5.5x19mm	12PCS
S		42PCS
V		1PC
W		16PCS
X		1PC
Y		2PCS

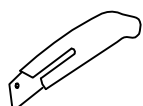
Warning

In snow season or in case of snow forecast open up your shutters in vertical position to avoid any damaging on your pergola.

What you need?



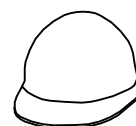
Glove



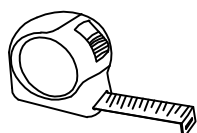
Knife



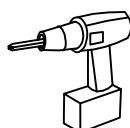
Hammer



Safety hat



Tapeline

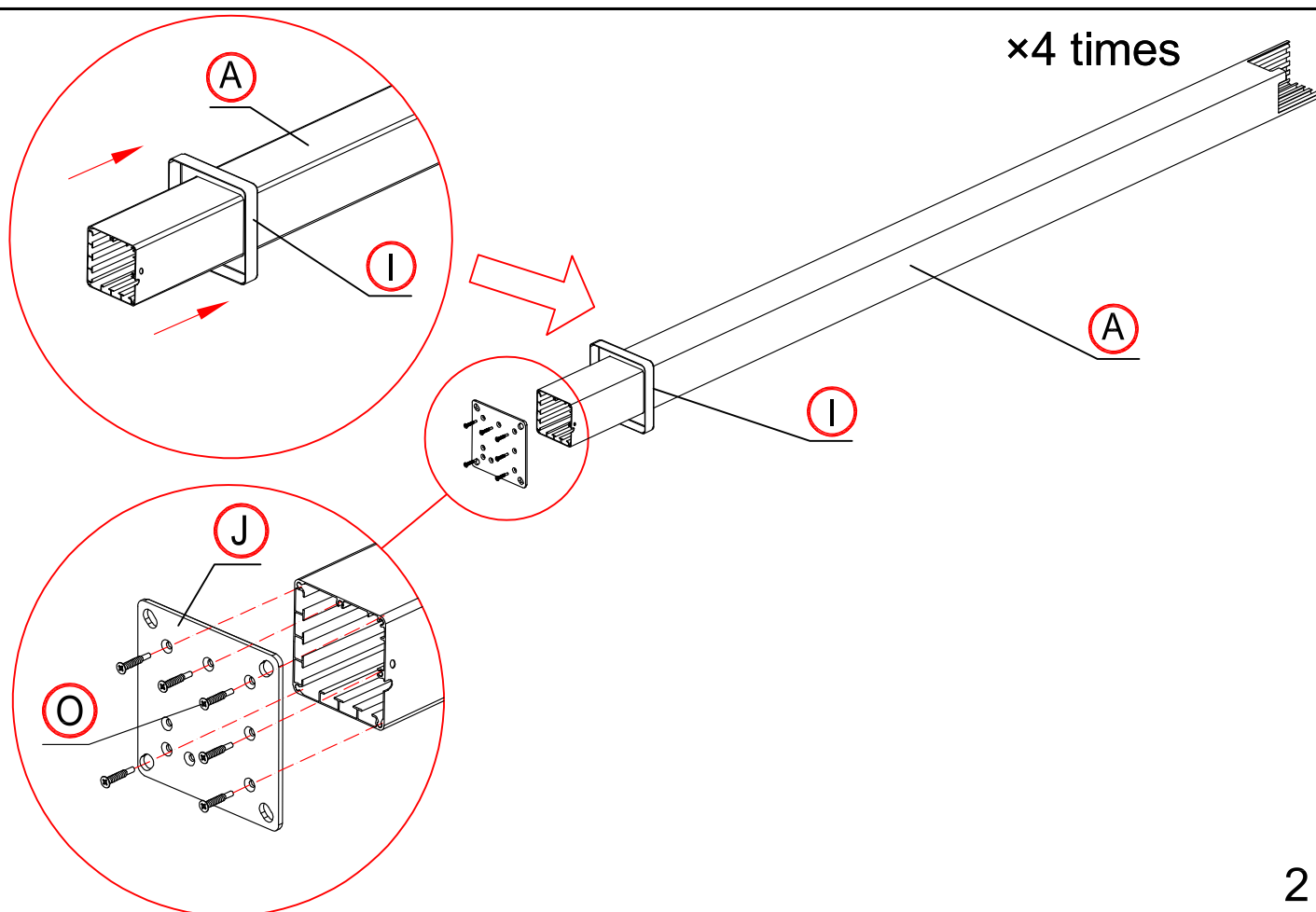


Electric screw driver

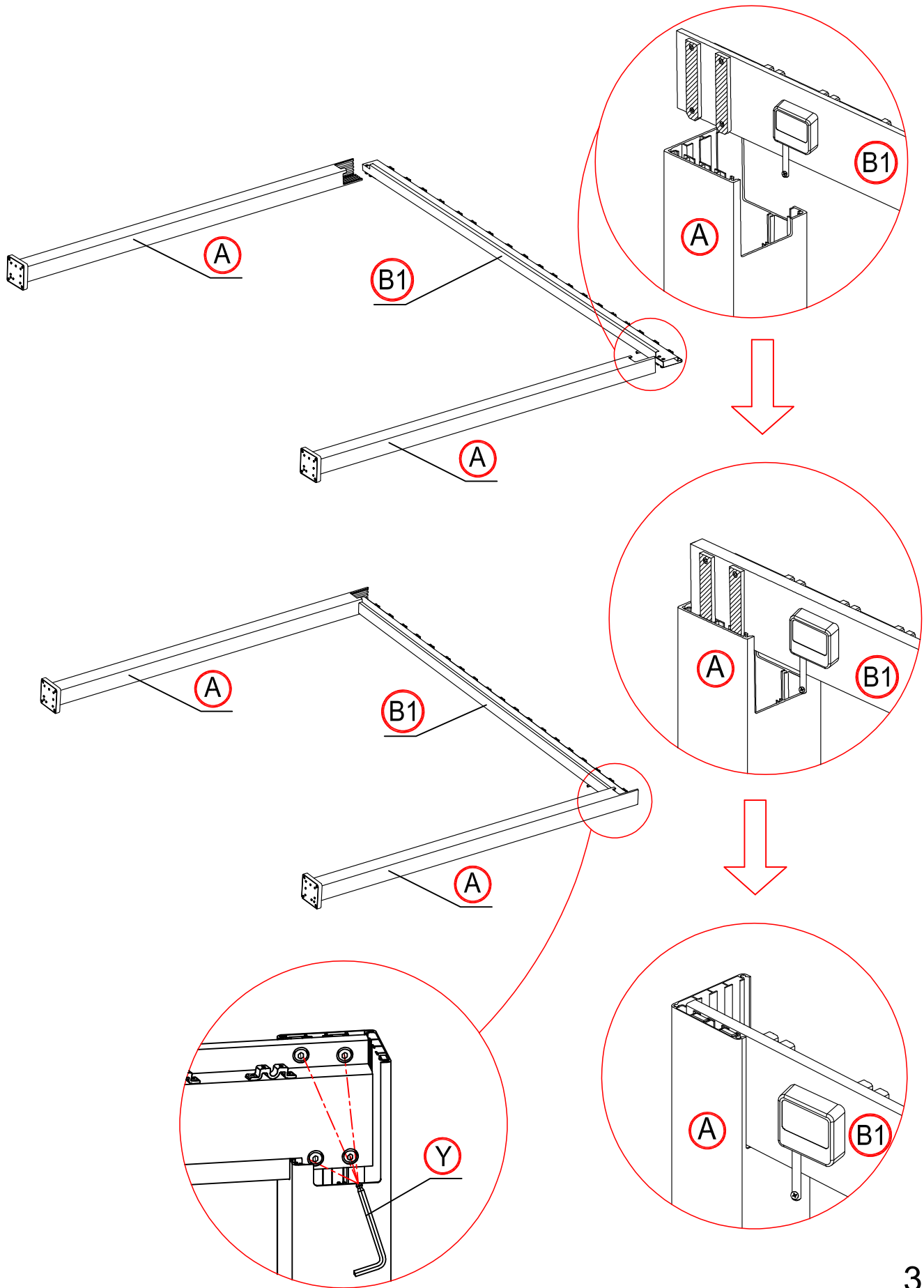


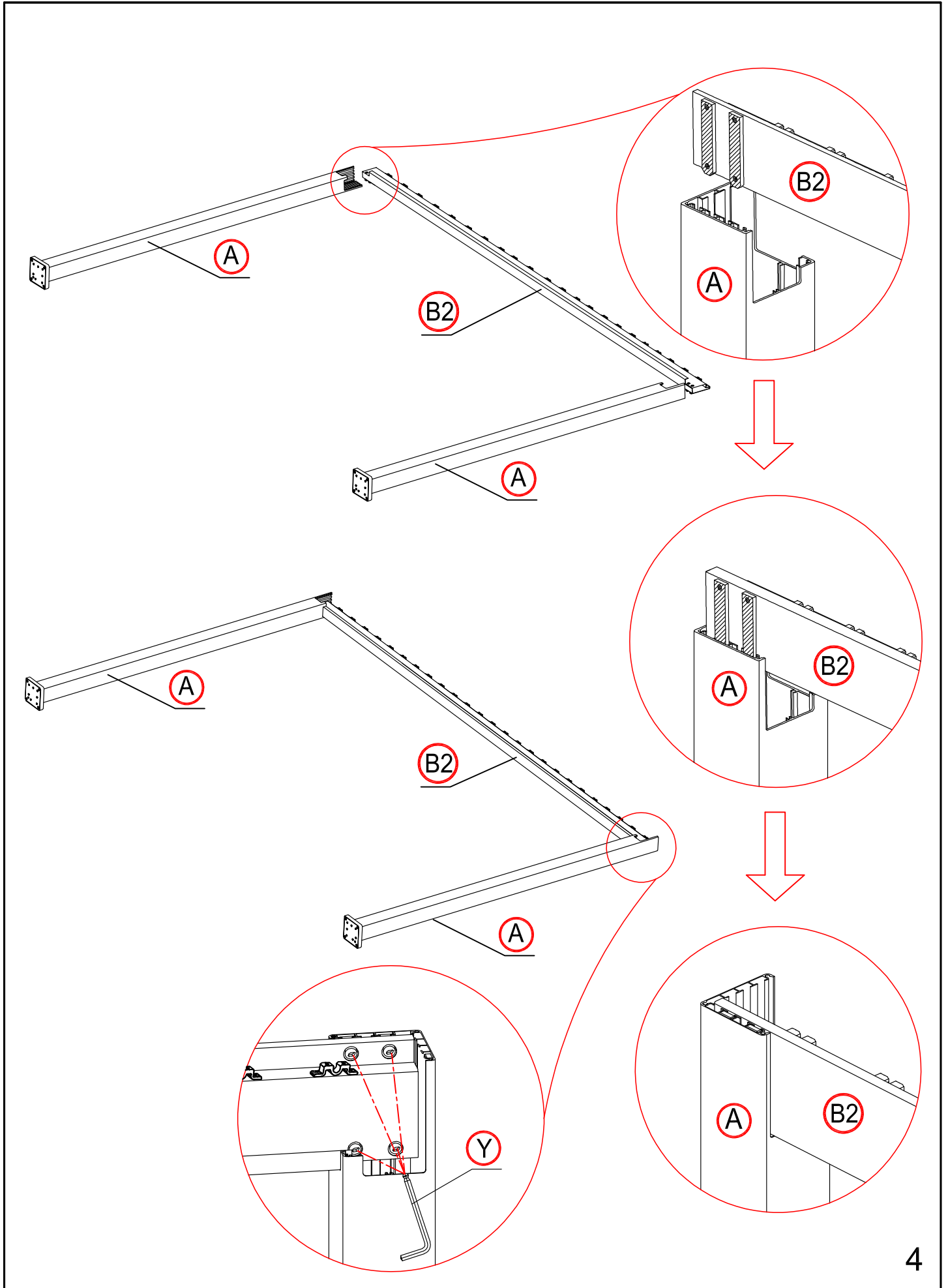
Ladder

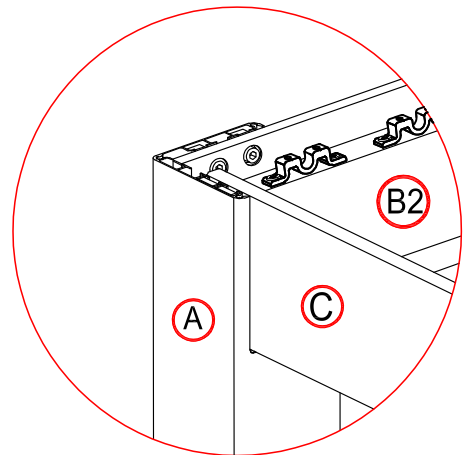
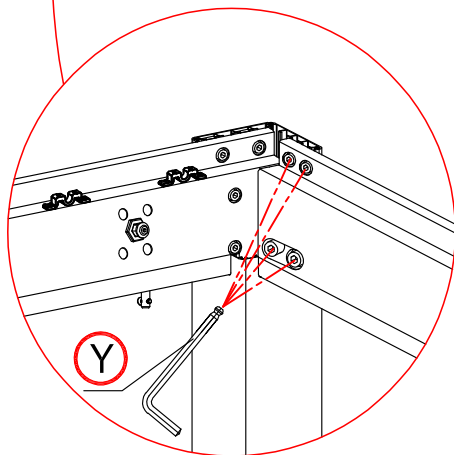
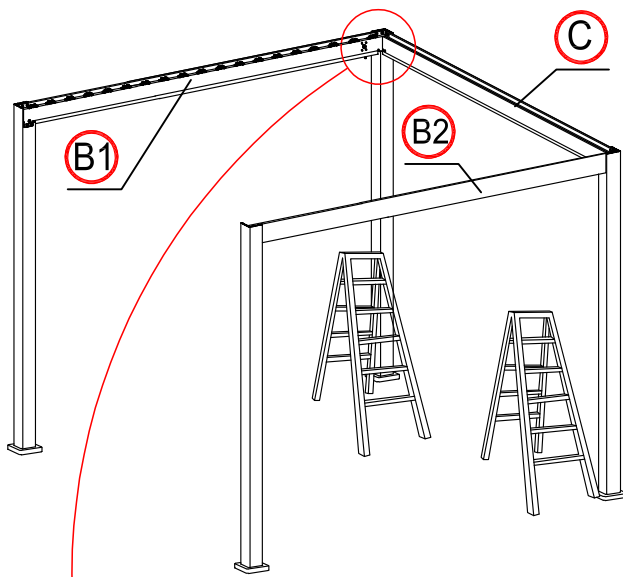
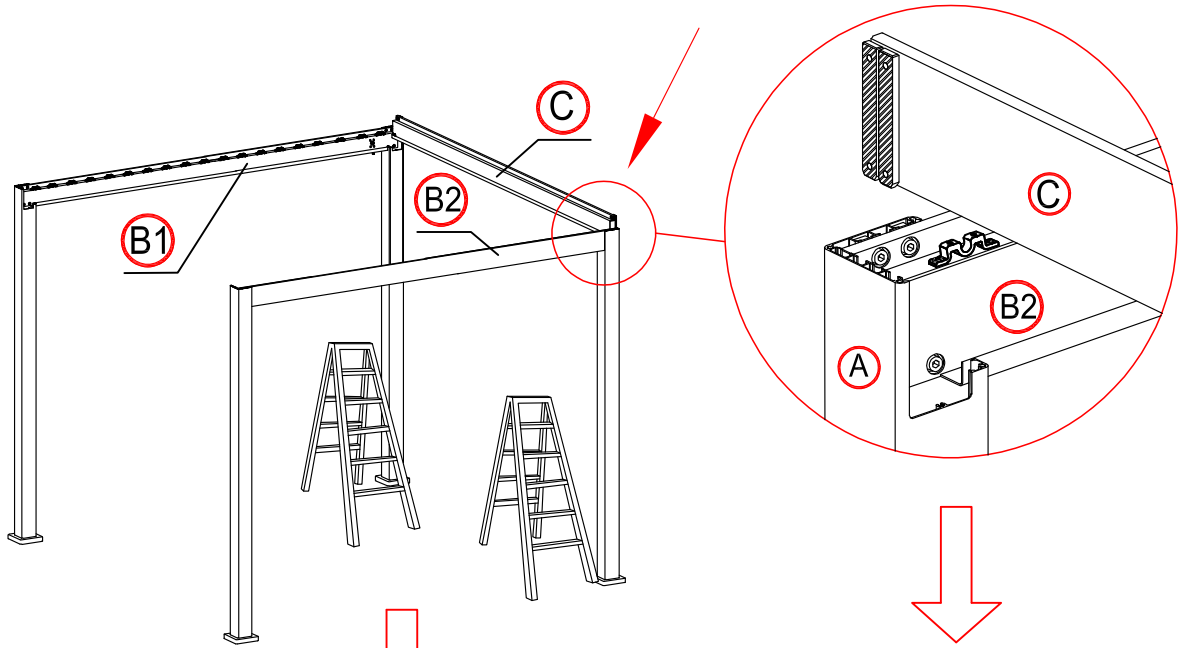
1

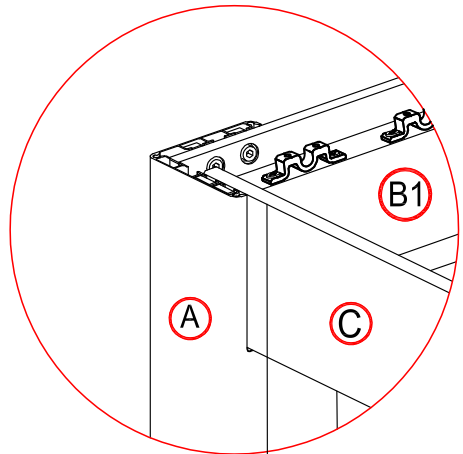
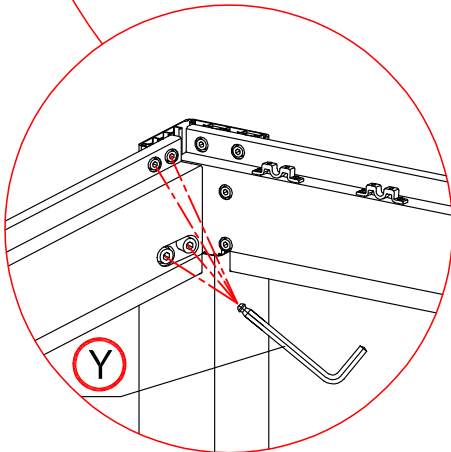
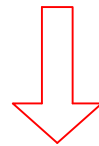
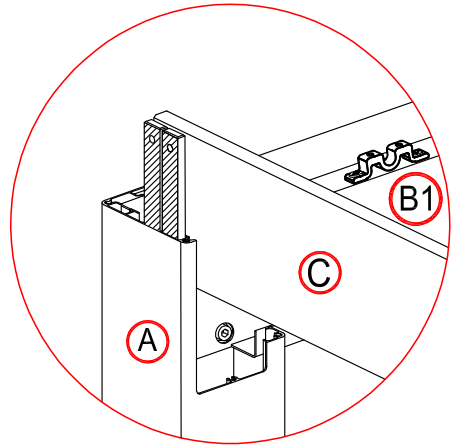
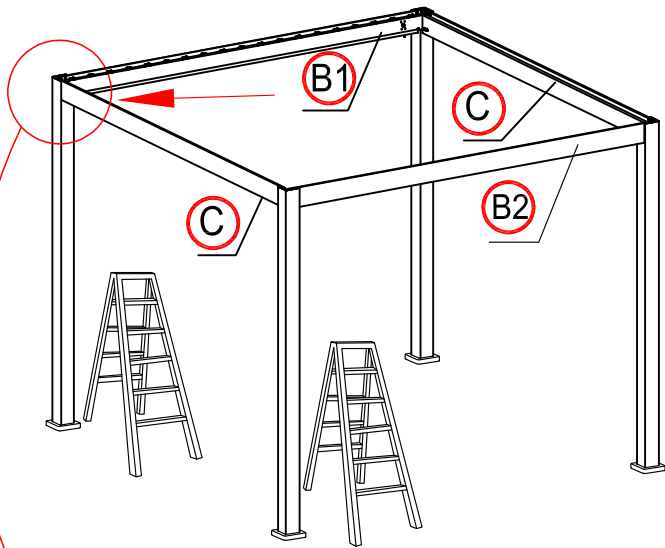
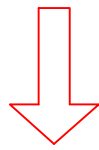
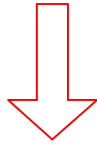
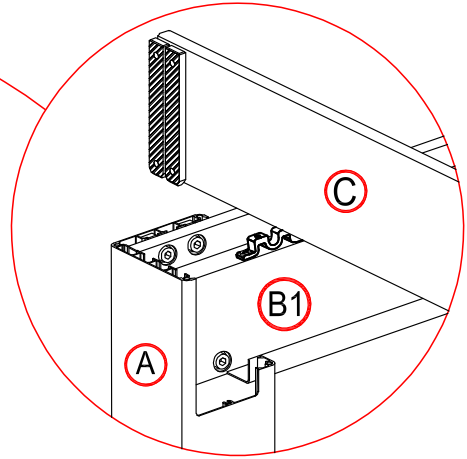
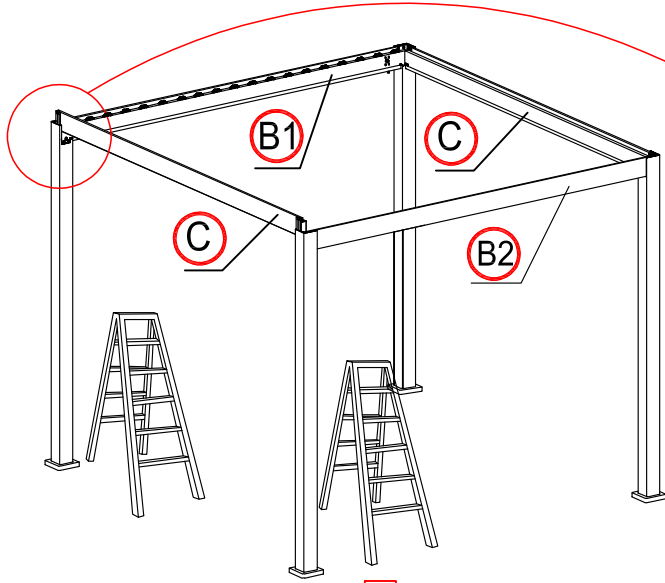


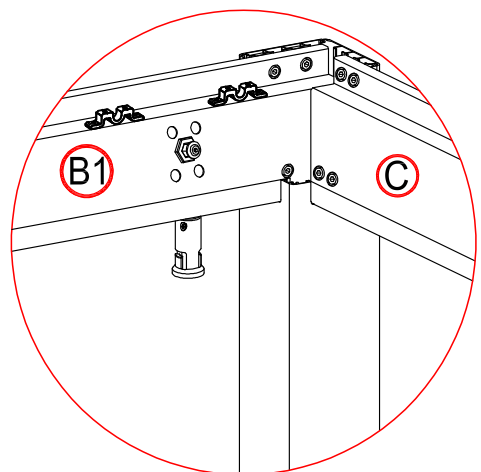
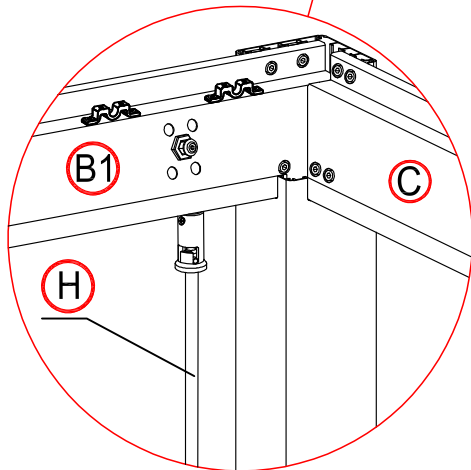
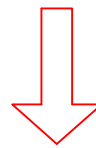
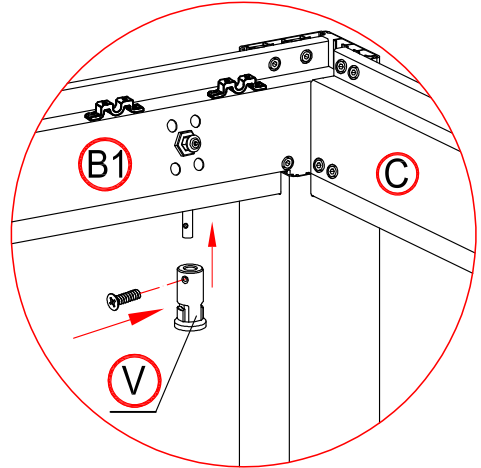
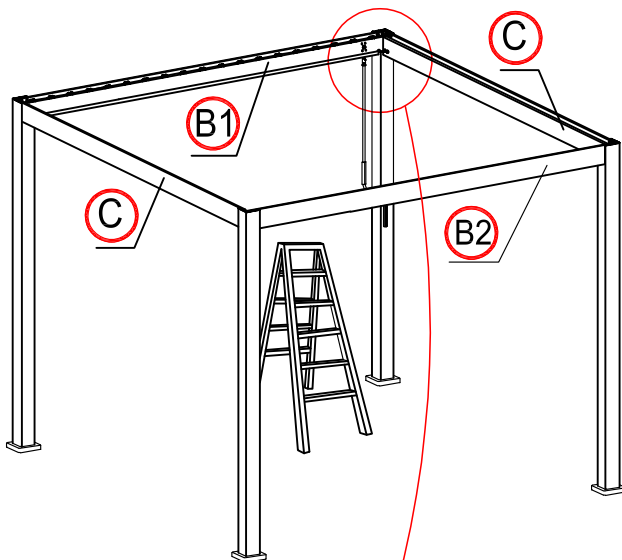
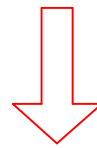
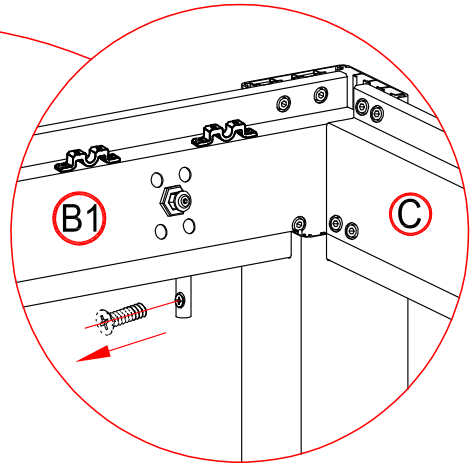
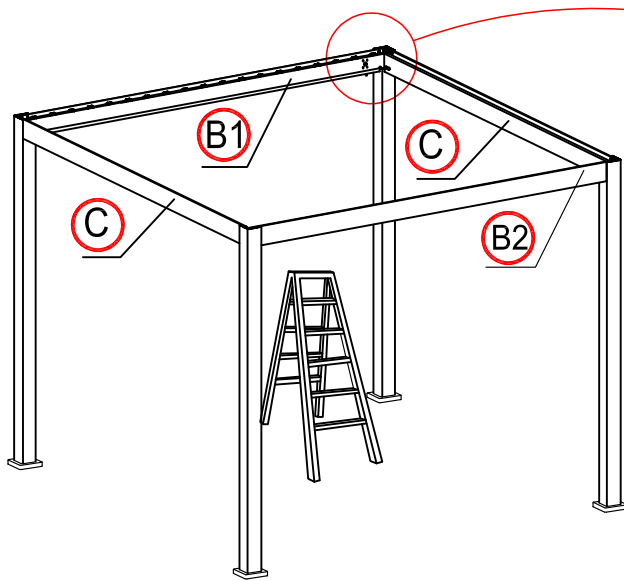
3



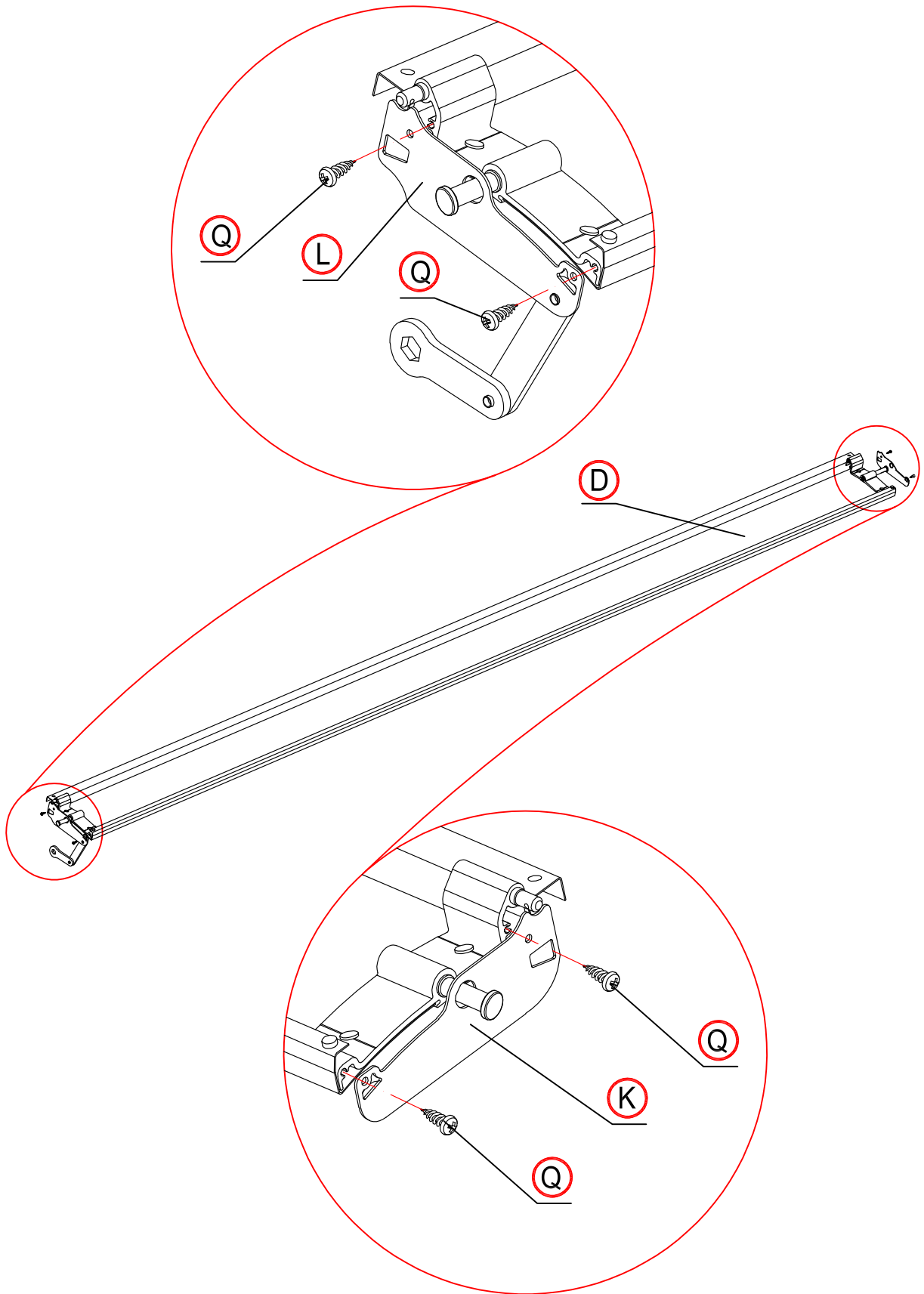


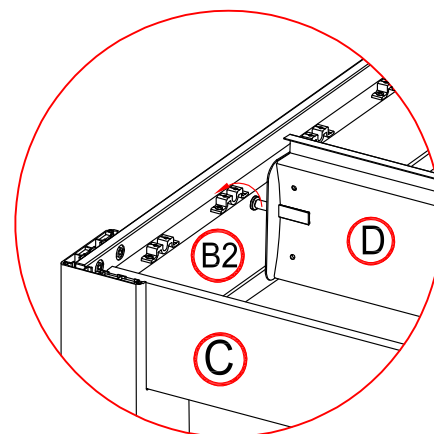
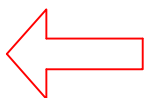
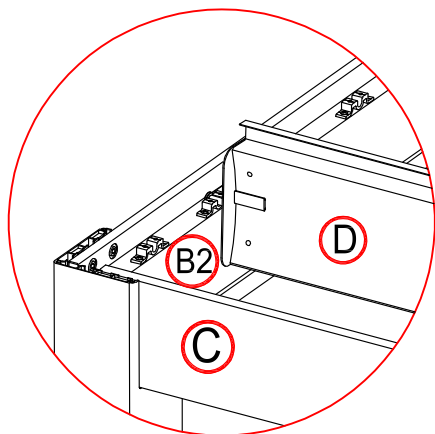
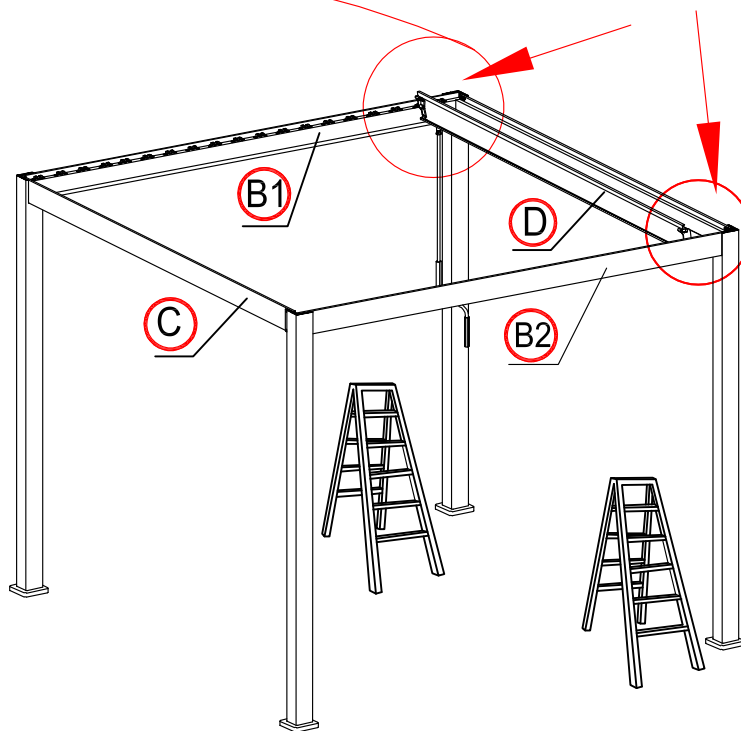
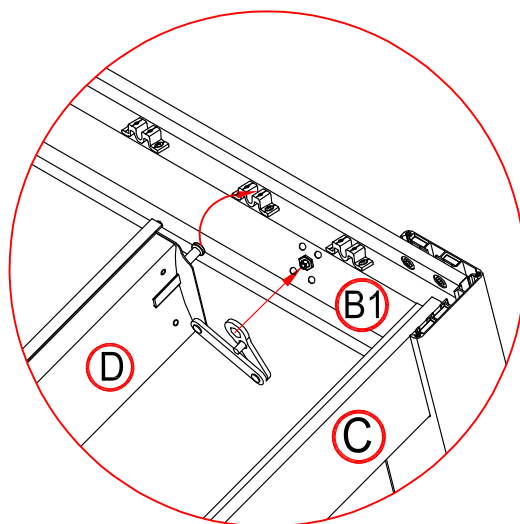
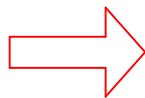
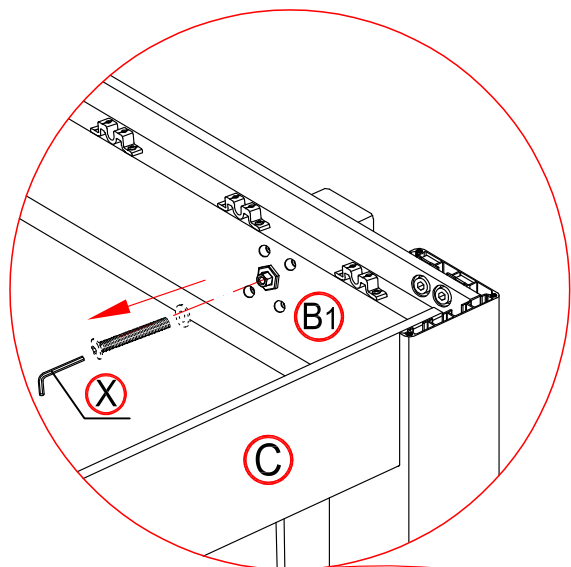


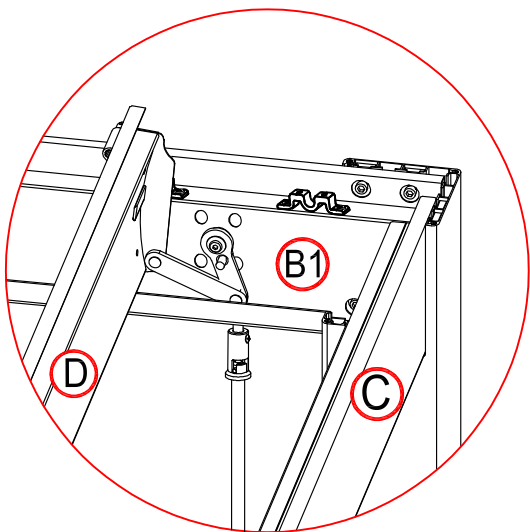
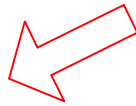
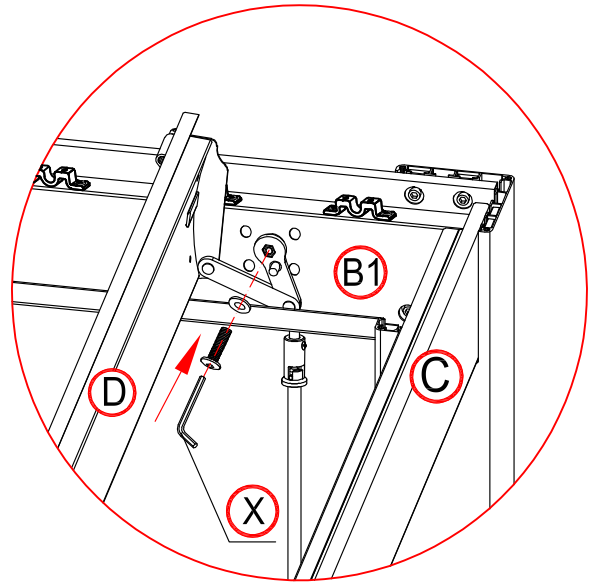
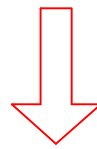
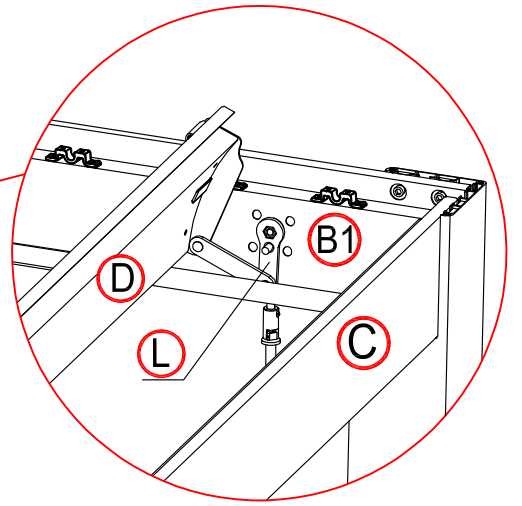
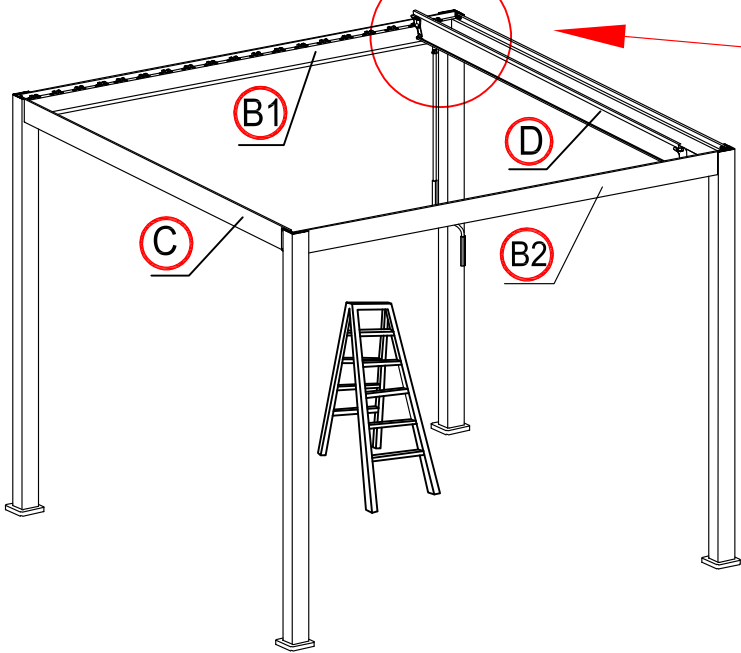


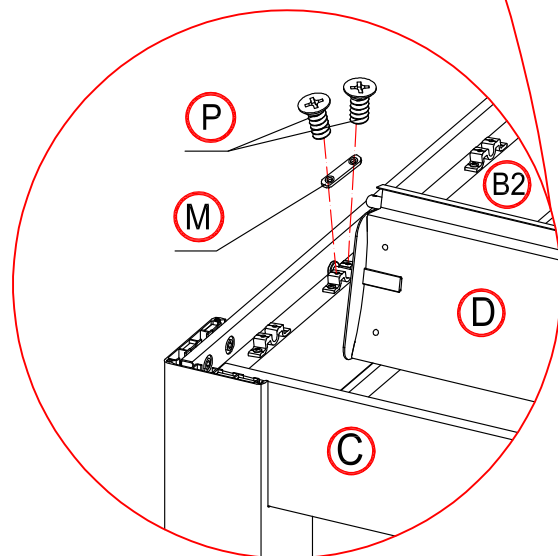
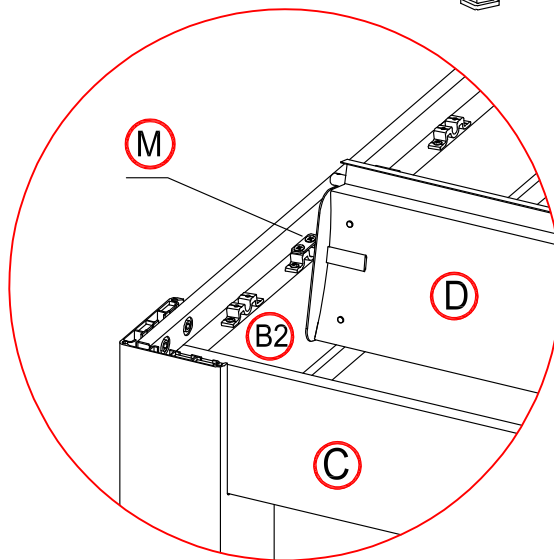
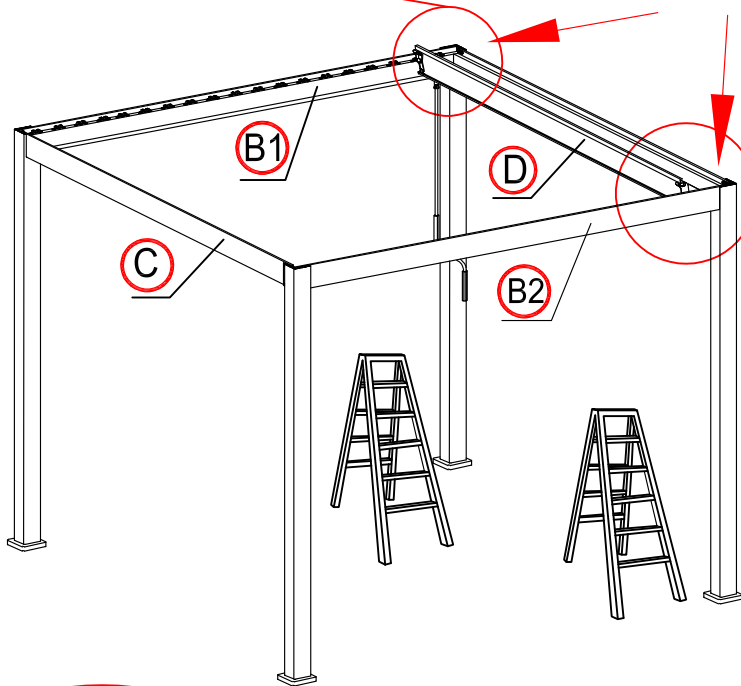
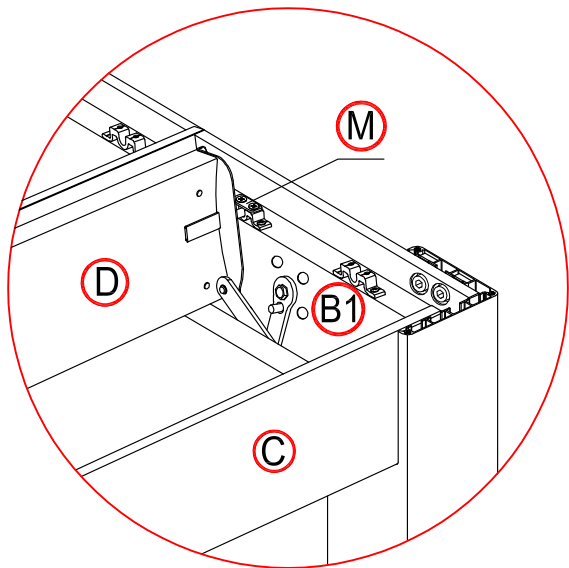
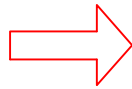
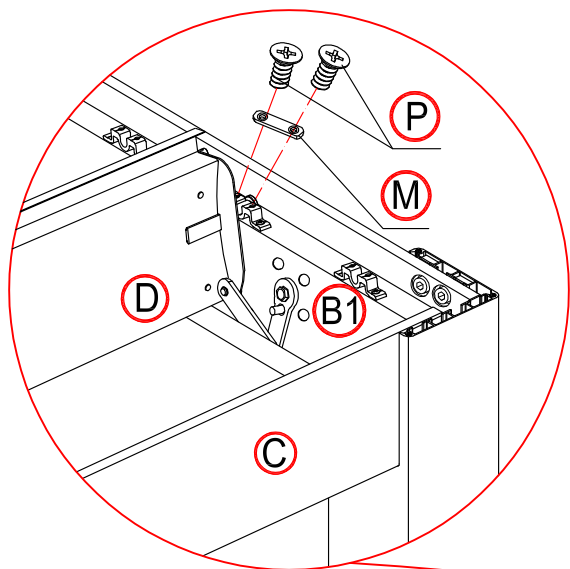


×1 time

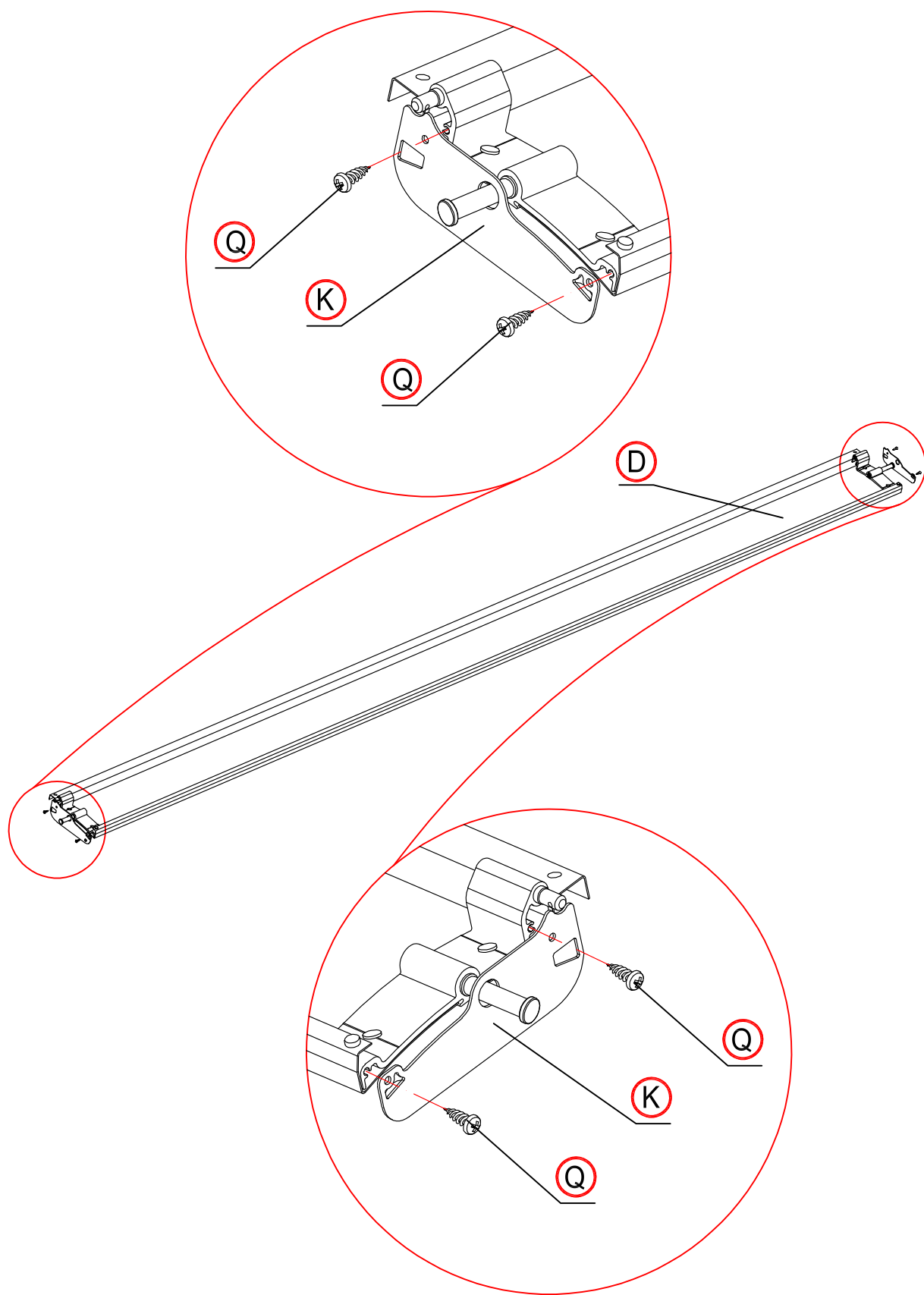


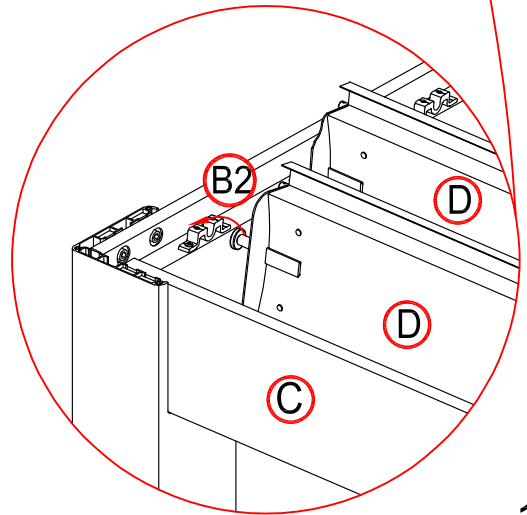
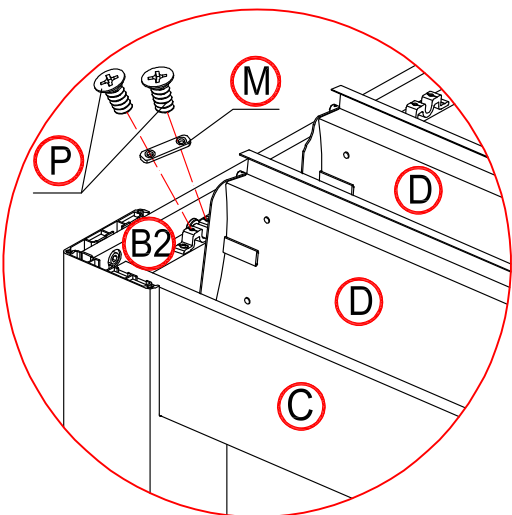
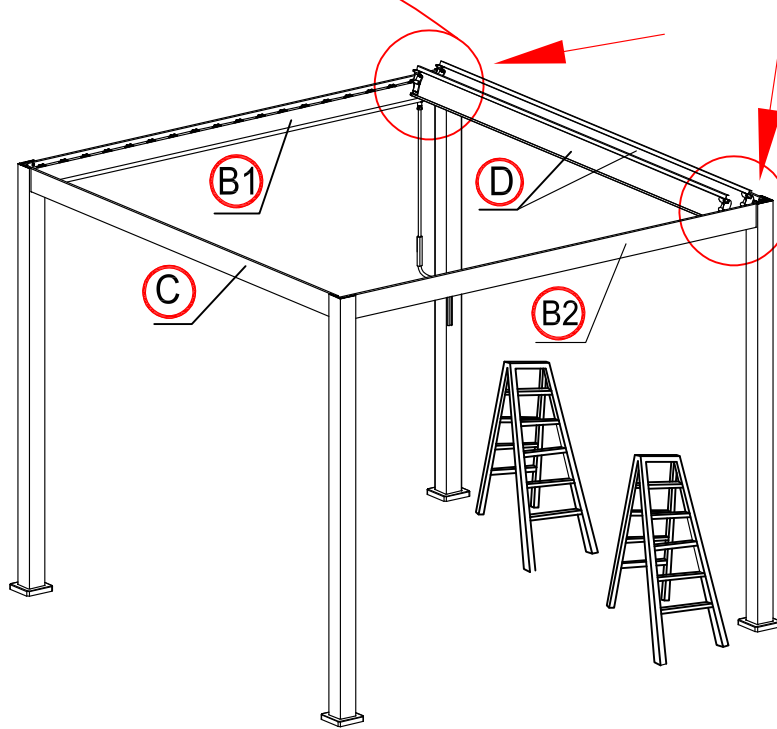
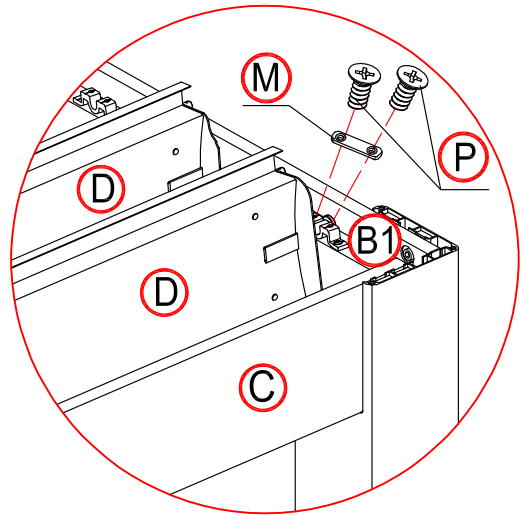
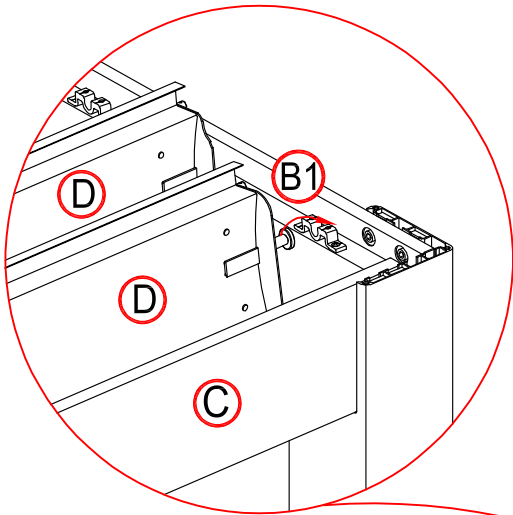




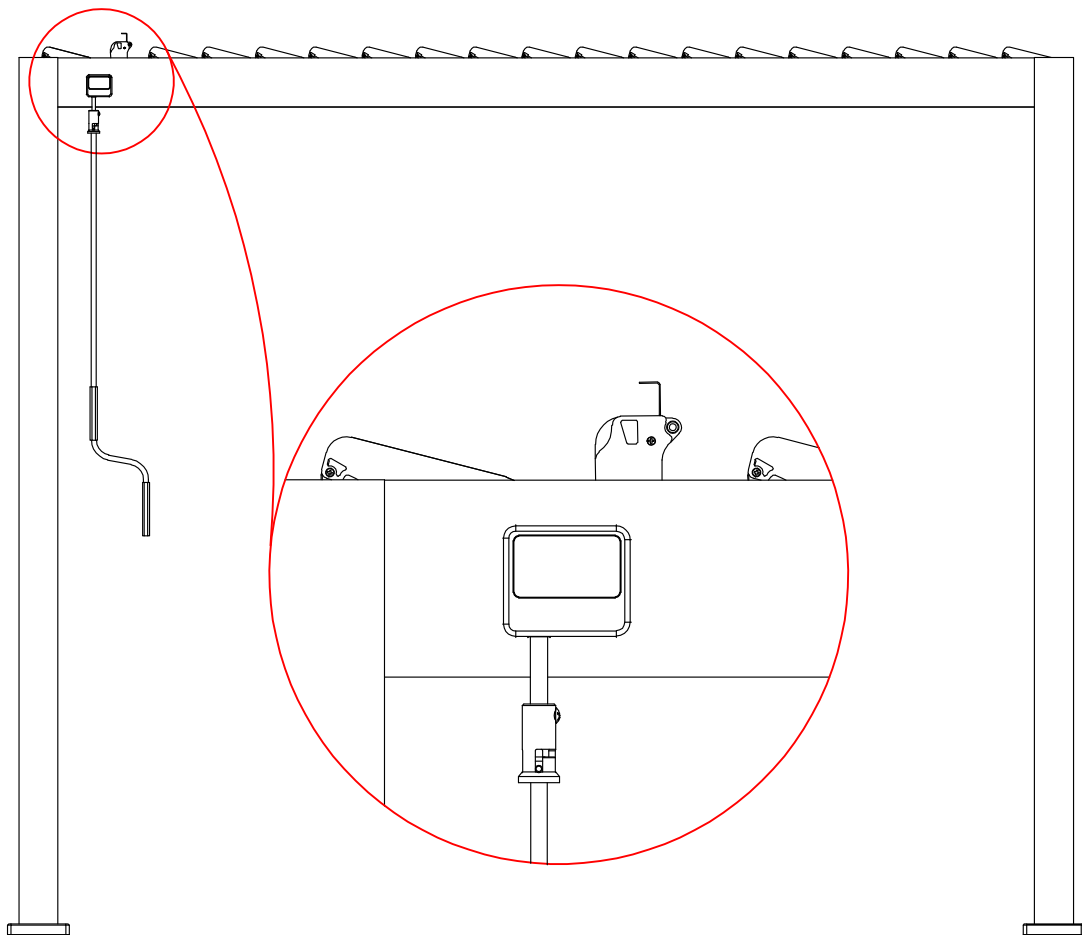


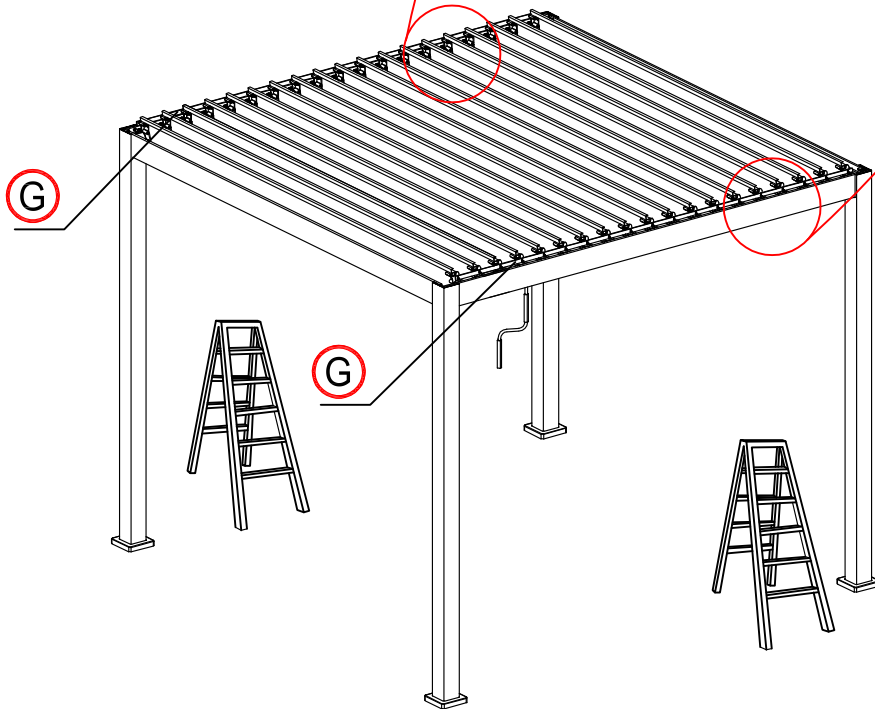
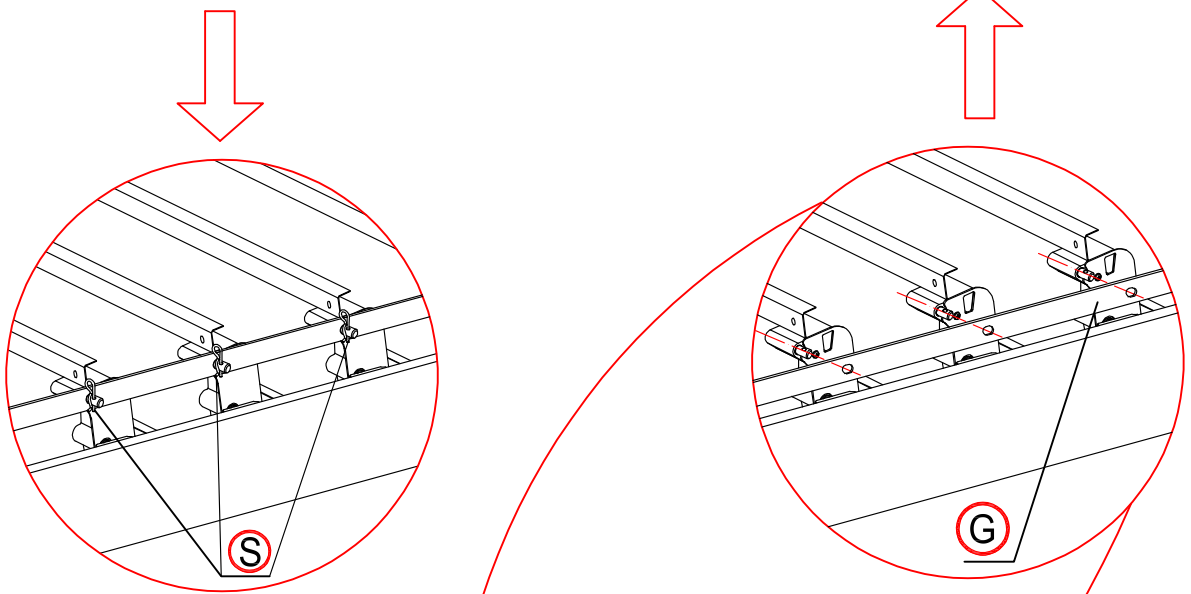
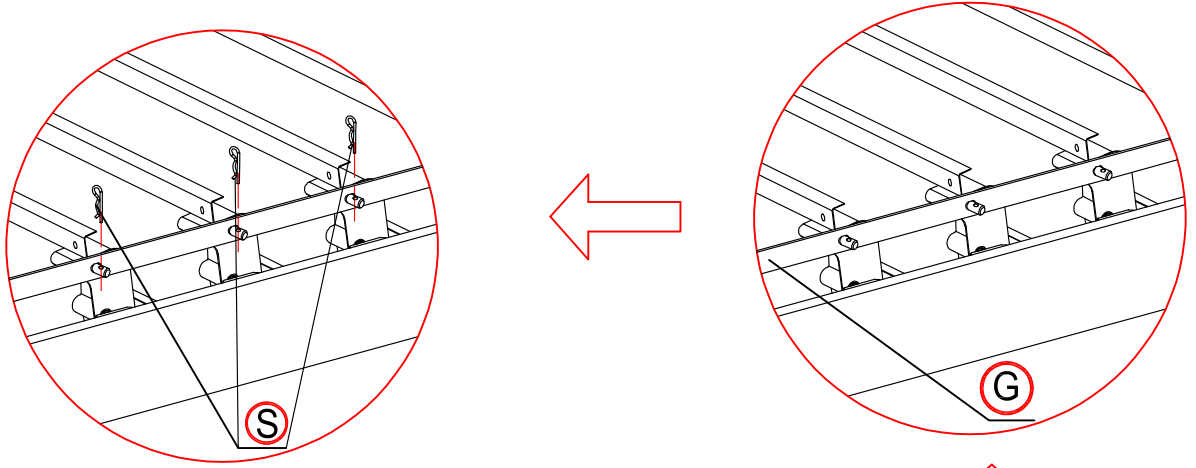
×18 times



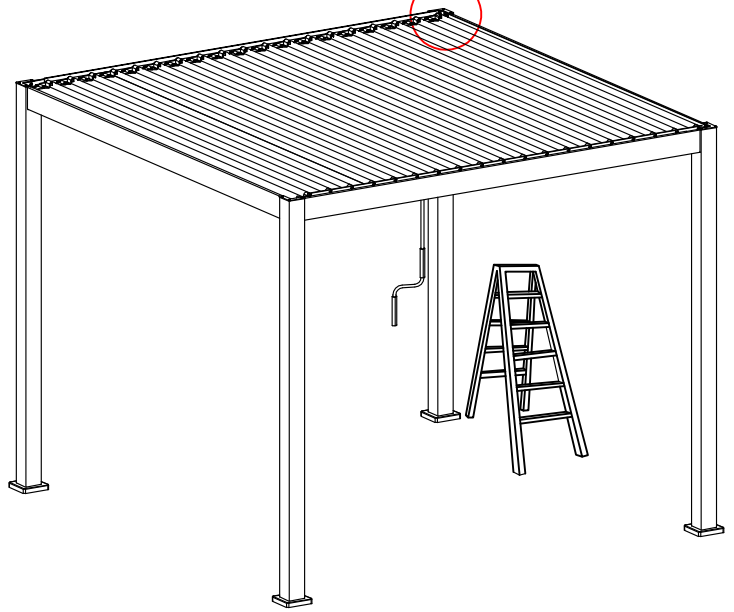
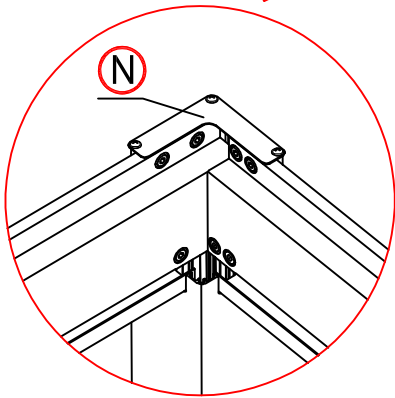
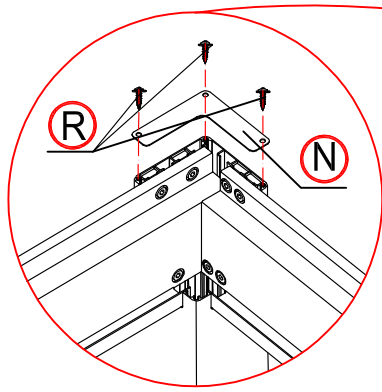


Make the shutter as vertical.



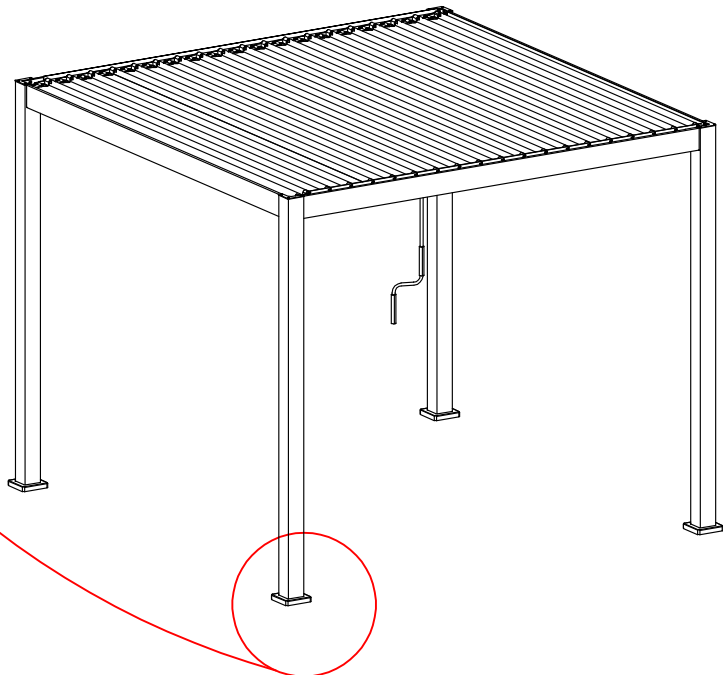
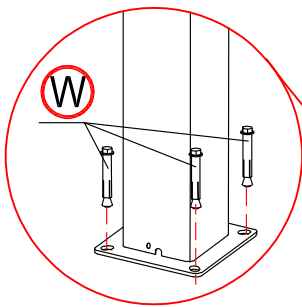


×4 times



16

×4 times



17

17

